

ViewSonic®

PJ588D/PJ568D/PJ508D DLP Projector



- User Guide
- Guide de l'utilisateur
- Bedienungsanleitung
- Guía del usuario
- Guida dell'utente
- Guia do usuário
- Användarhandbok
- Käyttöopas
- Руководство пользователя
- 使用手冊 (繁體)
- 使用手冊 (簡體)

Model No. : VS11581
VS11580
VS11579

Compliance Information

For U.S.A.

This device complies with part 15 of FCC Rules. Operation is subject to the following two conditions: (1) this device may not cause harmful interference, and (2) this device must accept any interference received, including interference that may cause undesired operation. This equipment has been tested and found to comply with the limits for a Class B digital device, pursuant to part 15 of the FCC Rules. These limits are designed to provide reasonable protection against harmful interference in a residential installation. This equipment generates, uses, and can radiate radio frequency energy, and if not installed and used in accordance with the instructions, may cause harmful interference to radio communications. However, there is no guarantee that interference will not occur in a particular installation. If this equipment does cause harmful interference to radio or television reception, which can be determined by turning the equipment off and on, the user is encouraged to try to correct the interference by one or more of the following measures:

- Reorient or relocate the receiving antenna.
- Increase the separation between the equipment and receiver.
- Connect the equipment into an outlet on a circuit different from that to which the receiver is connected.
- Consult the dealer or an experienced radio/TV technician for help.

Warning: You are cautioned that changes or modifications not expressly approved by the party responsible for compliance could void your authority to operate the equipment.

For Canada

- This Class B digital apparatus complies with Canadian ICES-003.
- Cet appareil numérique de la classe B est conforme à la norme NMB-003 du Canada.

CE Conformity for European Countries



The device complies with the requirements of the EEC directive 89/336/EEC as amended by 92/31/EEC and 93/68/EEC Art.5 with regard to “Electromagnetic compatibility”, and 73/23/EEC as amended by 93/68/EEC Art.13 with regard to “Safety.”


Following information is only for EU-member states:

The mark shown to the right is in compliance with the Waste Electrical and Electronic Equipment Directive 2002/96/EC (WEEE).

The mark indicates the requirement NOT to dispose the equipment as unsorted municipal waste, but use the return and collection systems according to local law.



Important Safety Instructions

1. Read these instructions completely before using the equipment.
2. Keep these instructions in a safe place.
3. Heed all warnings.
4. Follow all instructions.
5. Do not use this equipment near water. Warning: To reduce the risk of fire or electric shock, do not expose this apparatus to rain or moisture.
6. Clean with a soft, dry cloth. If further cleaning is required, see “Cleaning the Display” in this guide for further instructions.
7. Do not block any ventilation openings. Install the equipment in accordance with the manufacturer’s instructions.
8. Do not install near any heat sources such as radiators, heat registers, stoves, or other devices (including amplifiers) that produce heat.
9. Do not attempt to circumvent the safety provisions of the polarized or grounding-type plug. A polarized plug has two blades with one wider than the other. A grounding type plug has two blades and a third grounding prong. The wide blade and the third prong are provided for your safety. If the plug does not fit into your outlet, consult an electrician for replacement of the outlet.
10. Protect the power cord from being tread upon or pinched, particularly at the plug, and the point where it emerges from the equipment. Be sure that the power outlet is located near the equipment so that it is easily accessible.
11. Only use attachments/accessories specified by the manufacturer.
12. Use only with the cart, stand, tripod, bracket, or table specified by the manufacturer, or sold with the equipment. When a cart is used, use caution when moving the cart/equipment combination to avoid injury from tipping over. 
13. Unplug this equipment when it will be unused for long periods of time.
14. Refer all servicing to qualified service personnel. Service is required when the unit has been damaged in any way, such as: if the power-supply cord or plug is damaged, if liquid is spilled onto or objects fall into the unit, if the unit is exposed to rain or moisture, or if the unit does not operate normally or has been dropped.

Declaration of RoHS Compliance

This product has been designed and manufactured in compliance with Directive 2002/95/EC of the European Parliament and the Council on restriction of the use of certain hazardous substances in electrical and electronic equipment (RoHS Directive) and is deemed to comply with the maximum concentration values issued by the European Technical Adaptation Committee (TAC) as shown below:

Substance	Proposed Maximum Concentration	Actual Concentration
Lead (Pb)	0.1%	< 0.1%
Mercury (Hg)	0.1%	< 0.1%
Cadmium (Cd)	0.01%	< 0.01%
Hexavalent Chromium (Cr ⁶⁺)	0.1%	< 0.1%
Polybrominated biphenyls (PBB)	0.1%	< 0.1%
Polybrominated diphenyl ethers (PBDE)	0.1%	< 0.1%

Certain components of products as stated above are exempted under the Annex of the RoHS Directives as noted below:

Examples of exempted components are:

1. Mercury in compact fluorescent lamps not exceeding 5 mg per lamp and in other lamps not specifically mentioned in the Annex of RoHS Directive.
2. Lead in glass of cathode ray tubes, electronic components, fluorescent tubes, and electronic ceramic parts (e.g. piezoelectronic devices).
3. Lead in high temperature type solders (i.e. lead-based alloys containing 85% by weight or more lead).
4. Lead as an alloying element in steel containing up to 0.35% lead by weight, aluminium containing up to 0.4% lead by weight and as a copper alloy containing up to 4% lead by weight.

Copyright Information

Copyright © ViewSonic® Corporation, 2007. All rights reserved.

Macintosh and Power Macintosh are registered trademarks of Apple Computer, Inc.

Microsoft, Windows, Windows NT, and the Windows logo are registered trademarks of Microsoft Corporation in the United States and other countries.

ViewSonic, the three birds' logo, OnView, ViewMatch, and ViewMeter are registered trademarks of ViewSonic Corporation.

VESA is a registered trademark of the Video Electronics Standards Association. DPMS and DDC are trademarks of VESA.

PS/2, VGA and XGA are registered trademarks of International Business Machines Corporation.

Disclaimer: ViewSonic Corporation shall not be liable for technical or editorial errors or omissions contained herein; nor for incidental or consequential damages resulting from furnishing this material, or the performance or use of this product.

In the interest of continuing product improvement, ViewSonic Corporation reserves the right to change product specifications without notice. Information in this document may change without notice.

No part of this document may be copied, reproduced, or transmitted by any means, for any purpose without prior written permission from ViewSonic Corporation.

Product Registration

To meet your future needs, and to receive any additional product information as it becomes available, please register your product on the Internet at: www.viewsonic.com. The ViewSonic Wizard CD-ROM also provides an opportunity for you to print the registration form, which you may mail or fax to ViewSonic.

For Your Records

Product Name:	PJ588D/PJ568D/PJ508D ViewSonic DLP Projector
Model Number:	VS11581/VS11580/VS11579
Document Number:	PJ588D-1_UG_ENG Rev. 1C 05-22-07 PJ568D-1_UG_ENG Rev. 1C 05-22-07 PJ508D-1_UG_ENG Rev. 1C 05-22-07
Serial Number:	_____
Purchase Date:	_____



The lamp in this product contains mercury.

Please dispose of in accordance with local, state or federal laws.

Table of contents

GETTING STARTED	1
PACKING CHECKLIST	1
VIEWS OF PROJECTOR PARTS.....	2
<i>Front-left view</i>	2
<i>Top view—OSD buttons and LEDs</i>	3
<i>Rear view—connectors</i>	4
<i>Bottom view</i>	5
REMOTE CONTROL PARTS.....	6
REMOTE CONTROL OPERATING RANGE.....	8
PROJECTOR AND REMOTE CONTROL BUTTONS.....	8
SETUP AND OPERATION	10
INSERTING THE REMOTE CONTROL BATTERIES.....	10
CONNECTING INPUT DEVICES	11
STARTING AND SHUTTING DOWN THE PROJECTOR.....	12
ADJUSTING THE PROJECTOR LEVEL	13
ADJUST THE ZOOM, FOCUS AND KEYSTONE.....	15
ADJUSTING THE VOLUME	16
ON-SCREEN DISPLAY MENU SETTINGS	17
ON-SCREEN DISPLAY MENU CONTROLS	17
<i>Navigating the OSD</i>	17
<i>OSD Menu Overview</i>	18
SETTING THE OSD LANGUAGE.....	19
MAIN MENU.....	20
<i>Main Menu Functions Available for Connected Source</i>	21
SETUP MENU.....	22
<i>Setup Menu Functions Available for Connected Source</i>	22
<i>Advanced Feature</i>	23
<i>User Color</i>	25
CONFIG MENU.....	26
UTILITY MENU	27
<i>Utility Menu Functions Available for Connected Source</i>	28
LANUAGE MENU	29
STATUS MENU	30
MAINTENANCE AND SECURITY	31
CLEANING THE PROJECTOR	33
<i>Cleaning the Lens</i>	33
<i>Cleaning the Case</i>	34
USING THE KENSINGTON LOCK.....	34

TROUBLESHOOTING 35

- COMMON PROBLEMS AND SOLUTIONS 35
- TIPS FOR TROUBLESHOOTING 35
- LED ERROR MESSAGES 36
- IMAGE PROBLEMS 36
- LAMP PROBLEMS 37
- REMOTE CONTROL PROBLEMS 37
- AUDIO PROBLEMS 38
- HAVING THE PROJECTOR SERVICED 38

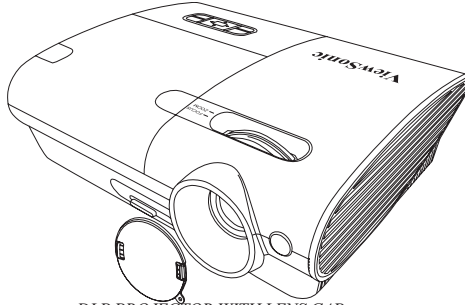
SPECIFICATIONS..... 39

- SPECIFICATIONS 39
 - Input/output connectors* 39
- PROJECTION DISTANCE VERSUS PROJECTION SIZE 40
- TIMING MODE TABLE 42
- DIMENSIONS 43

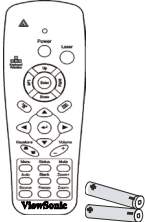
GETTING STARTED

Packing Checklist

Carefully unpack the projector and check if all the following items are included:



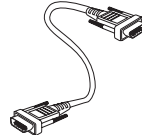
DLP PROJECTOR WITH LENS CAP



*REMOTE CONTROL
(WITH TWO AAA BATTERIES)*



250V POWER CABLE



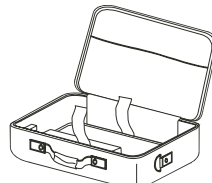
COMPUTER CABLE (VGA-VGA)



CD-ROM (THIS USER'S MANUAL)



*MULTI-LANGUAGE
QUICK START GUIDE*



CARRYING CASE

Contact your dealer immediately if any items are missing, appear damaged, or if the unit does not work.

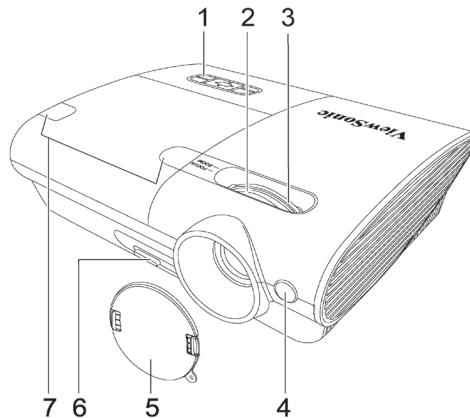
Caution:

Avoid using the projector in dusty environment.

Leave the power cable plugged in (for 5-10 minutes) until the projector cools down to room temperature before placing the projector inside the soft case. Placing the projector into the case right after switching off the power could cause the projector to break down. Be sure to attach the lens cap and place the projector into the soft case.

Views of Projector Parts

Front-left view



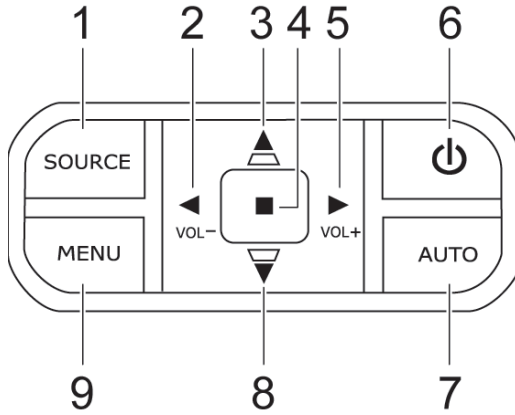
ITEM	LABEL	DESCRIPTION	SEE PAGE:
1.	OSD buttons and LEDs	See below	3
2.	Focus	Turn the lens to focus	15
3.	Zoom	Enlarge the projected image	15
4.	IR receiver*	Receiver for IR signal from remote control	4
5.	Lens cap	Attach the lens cap to protect lens when not in use	
6.	Height adjuster	Adjuster drop down when adjuster button is pushed	14
7.	Screw covers	Lift covers to remove lid screws	32

Important:

Grill openings on the projector allow for good air circulation, which keeps the projector lamp cool. Do not obstruct any of the grill openings.

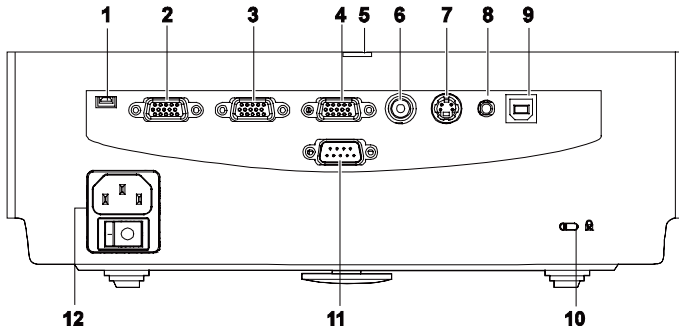
*ViewPen sensor is optional.

Top view—OSD buttons and LEDs



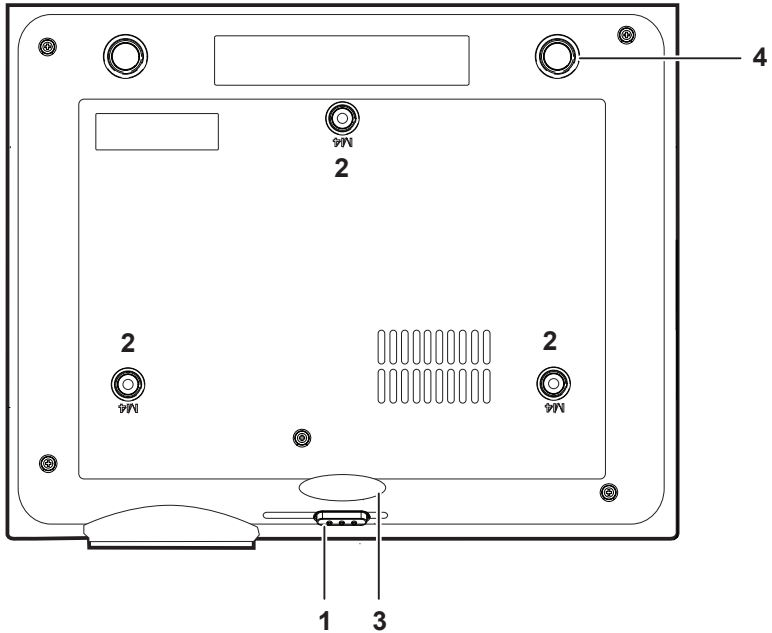
ITEM	LABEL	DESCRIPTION	SEE PAGE:
1.	Source	Detect input device	17
2.	Volume/ left cursor	Decrease volume Navigate and change settings in the OSD	16
3.	Keystone/ up cursor	Corrects image-trapezoid (narrower top) effect Navigates and changes settings in the OSD	15
4.	Enter	Select settings in the OSD	17
5.	Volume/ right cursor	Increase volume/Navigates and change settings in the OSD	16
6.	Power	Turn the projector on or off	12
7.	Auto	Open/exit the On-Screen Display (OSD)	17
8.	Keystone/ down cursor	Correct image-trapezoid (narrower bottom) effect Navigate and change settings in the OSD	15
9.	Menu	Open/exit the On-Screen Display (OSD)	

Rear view—connectors



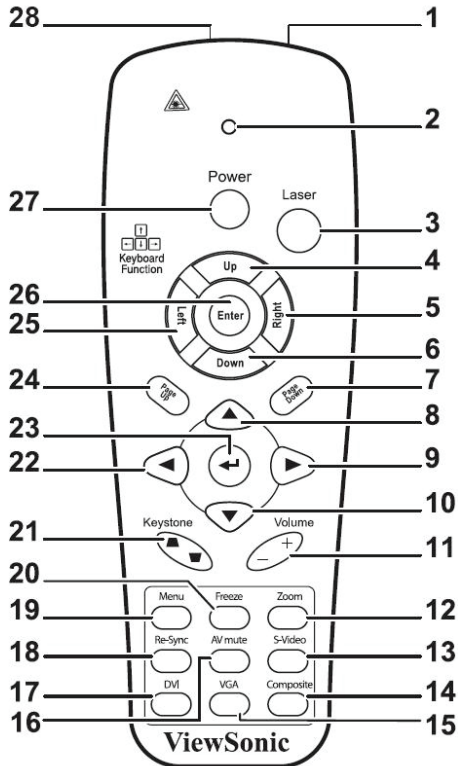
ITEM	LABEL	DESCRIPTION	SEE PAGE:
1.	ViewPen	Mini USB Port for ViewPen receiver (optional)	
2.	RGB in (1)	Connect a VGA cable (supplied) from a computer	<i>11</i>
3.	RGB in (2)	Connect a VGA cable (supplied) from a computer	
4.	RGB out	Connect to a monitor	
5.	Power/Ready LED	LED light displays when unit is powered on	
6.	Video	Connect a composite video cable (not supplied) from a video device	<i>11</i>
7.	S-Video	Connect the supplied S-video cable from a video device	
8.	Audio-in	Connect the audio cable (not supplied) from the input device	
9.	USB	Connect the USB cable (not supplied) for a computer	
10.	Security lock	Secure to permanent object with a Kensington® Lock system	<i>36</i>
11.	RS-232	Installation control	
12.	Power connector	Connect the supplied power cord	<i>12</i>

Bottom view



ITEM	LABEL	DESCRIPTION	SEE PAGE:
1.	Height adjuster button	Push to release adjuster	14
2.	Ceiling mount hole	Contact your dealer for information on mounting the projector on a ceiling	
3.	Height adjuster	Adjuster drops down when adjuster button is pushed	14
4.	Tilt adjuster	Rotate adjuster lever to adjust angle position	

Remote Control Parts



Important:

Avoid using the projector when bright fluorescent lighting turned on. Certain high-frequency fluorescent lights can disrupt remote control operation.

Be sure nothing obstructs the path between the remote control and the projector. If the path between remote and projector is obstructed, you can bounce the remote signal off certain reflective surfaces such as projector screens.

ITEM	LABEL	DESCRIPTION	SEE PAGE:
1.	IR transmitter	Transmit signals to projector	
2.	Status LED	Light when the remote control is used	
3.	Laser	Press to operate the on-screen pointer	
4.	Up	Up arrow when connected through USB to a PC	

5.	Right	Right arrow when connected through USB to a PC	
6.	Down	Down arrow when connected through USB to a PC	
7.	Page down	Page down when connected through USB to a PC	
8.	Up cursor	Navigate and change settings in the OSD	17
9.	Right cursor		
10.	Down cursor		
11.	Volume +/-	Adjust volume	18
12.	Mute	Mute the built-in speaker	
13.	Zoom+	Zoom in	
14.	Zoom-	Zoom out	
15.	Freeze	Freeze/unfreeze the on-screen picture	
16.	Blank	Make the screen blank	
17.	Source	Detect the input device	
18.	Auto	Auto adjustment for phase, tracking, size, position	
19.	Menu	Open the OSD	17
20.	Status	Open the OSD Status menu (the menu only opens when an input device is detected)	31
21.	Keystone top/ bottom	Correct image-trapezoid (wider top/bottom) effect	15
22.	Left cursor	Navigate and change settings in the OSD	17
23.	Enter	Change settings in the OSD	
24.	Page up	Page up when connected through USB to a PC	
25.	Left	Left arrow when connected through USB to a PC	

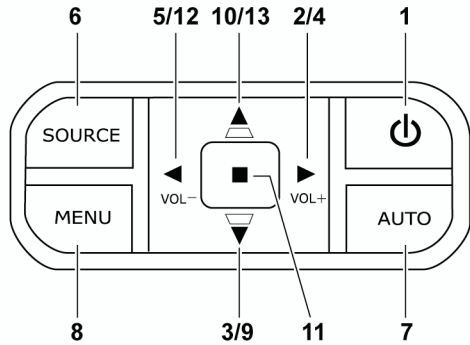
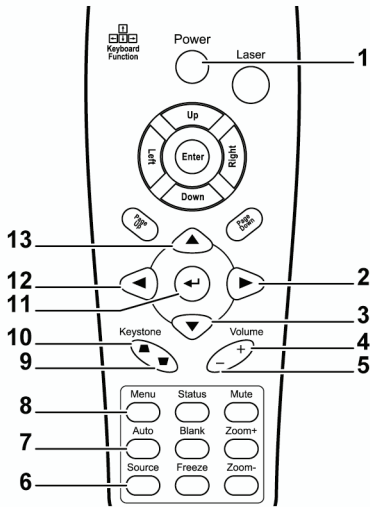
26.	Enter	Enter key when connected through USB to a PC	
27.	Power	Turn the projector on or off	12
28.	Laser	Use as on-screen pointer. DO NOT POINT IN EYES	

Remote Control Operating Range

The remote control uses infrared transmission to control the projector. It is not necessary to point the remote directly at the projector. Provided you are not holding the remote perpendicular to the sides or the rear of the projector, the remote functions within a radius of about 7 meters (23 feet) and 30 degrees above or below the projector level. If the projector does not respond to the remote control, move a little closer towards the projector.

Projector and Remote Control Buttons

The projector can be operated using the remote control or the buttons on the top of the projector. All operations can be carried out with the remote control; however the buttons on the projector are limited in use. The following illustration shows the corresponding buttons on the remote control and on the projector.

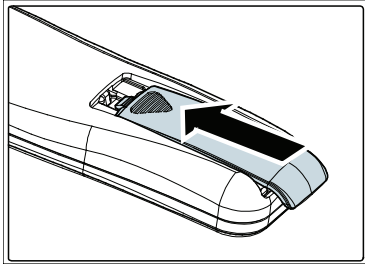
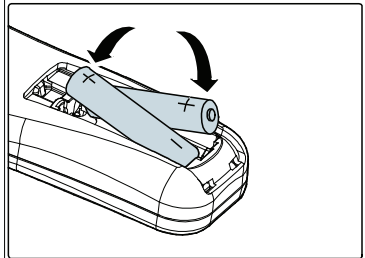
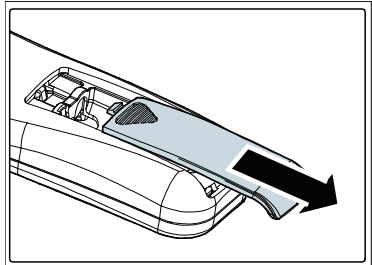


Some buttons on the projector have two functions. For example, item 5/12 on the projector functions both as the volume down button and as the left cursor key in OSD menus.

SETUP AND OPERATION

Inserting the Remote Control Batteries

1. Remove the battery compartment cover by sliding the cover in the direction of the arrow.
2. Insert the supplied batteries taking note of the polarity (+/-) as shown here.
3. Replace the cover.



Caution:

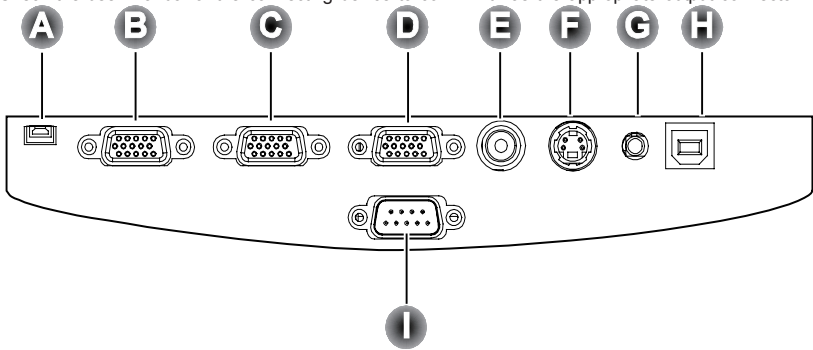
Only use AAA batteries.(Alkaline battery is better).

Dispose of used batteries according to local ordinance regulations.

Remove the batteries when not using the projector for prolonged periods.

Connecting Input Devices

A PC or notebook computer as well as video devices can be connected to the projector at the same time. Video devices include DVD, VCD, and VHS players, as well as movie camcorders and digital still cameras. Check the user manual of the connecting device to confirm it has the appropriate output connector.



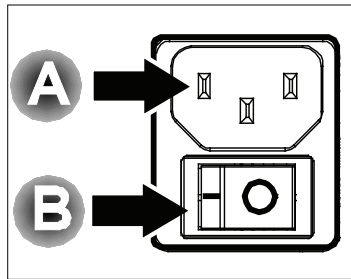
ITEM	LABEL	DESCRIPTION
A	ViewPen	Mini USB Port for ViewPen receiver (optional)
B	RGB in (1)	Connect a VGA cable (not supplied) from a computer
C	RGB in (2)	Connect a VGA cable (not supplied) from a computer
D	RGB out	Connect a VGA cable (not supplied) to a monitor
E	Video	Connect a composite video cable (not supplied) from a video device
F	S-Video	Connect the supplied S-video cable from a video device
G	Audio-in	Connect an audio cable (not supplied) from the computer's audio-out connector
H	USB	Connect the USB cable (not supplied) from a computer
I	RS-232	Reserved for installation control and firmware upgrades

Warning:

As a safety precaution, disconnect all power to the projector and connecting devices before making connections.

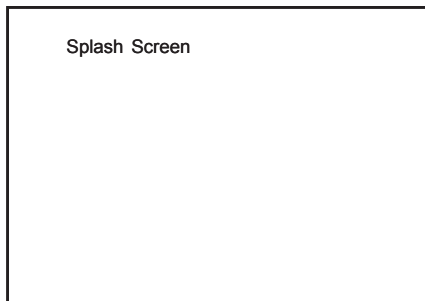
Starting and Shutting Down the Projector

1. Connect the power cord to the projector (A). Connect the other end to a wall outlet.
Turn on the power switch (B).
The Power LED and Lamp-ready LED turn on.
2. Remove the lens cover.
3. Turn on the connected devices.
4. Ensure the Lamp-ready LED is on a steady (not flashing) orange and then press the **Power** button to turn on the projector.



The projector splash screen displays and connected devices are detected. If the connected device is a PC, press the appropriate Fn hot keys on the computer keyboard to switch the display output to the projector. (Check the PC user manual to determine the appropriate Fn hot keys to change display output.)

5. If more than one input device is connected, press the **Source** button repeatedly to switch among devices.
6. To turn off the projector, press the **Power** button. When the “Power Off?/Press Power again” message appears, press the **Power** button. The projector turns off.



Warning:

Power off the projector accordingly and unplug the power cord before moving the projector.

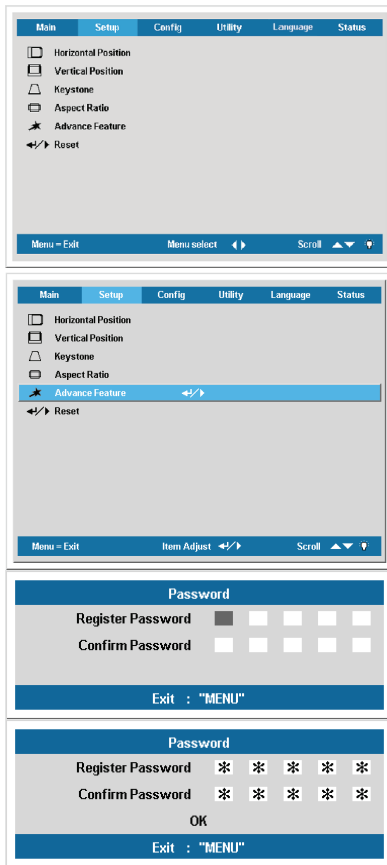
Setting an Access Password (Security Lock)

You can use the cursor (arrow) buttons to set a password and prevent unauthorized use of the projector. When enabled, the password must be entered after you power on the projector. (See “Navigating the OSD” on page 18 and “Setting the OSD Language” on page 19 for help on using OSD menus.)

Important:

Keep the password in a safe place. Without the password, you will not be able to use the projector. If you lose the password, contact your reseller for information on clearing the password.

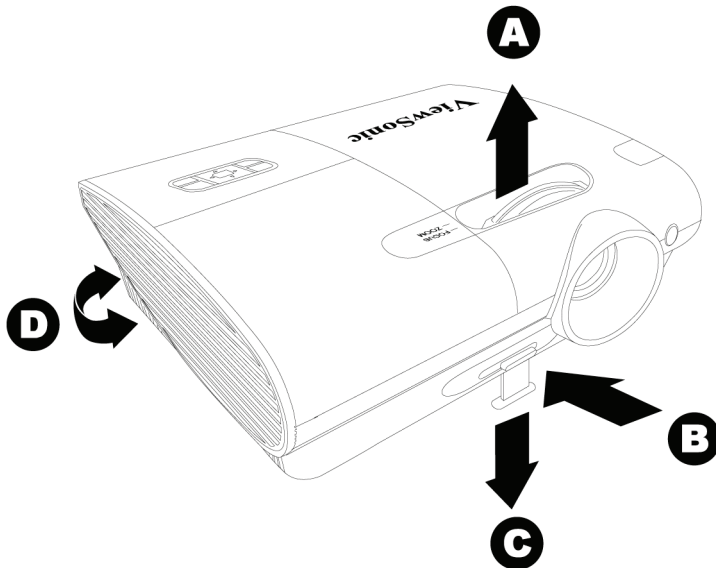
7. Press the **Menu** button to open the OSD menu.
8. Press the cursor ◀▶ button to move to the **Setup** menu.
9. Press the cursor ▲▼ button to select **Advanced Feature** and press **Enter** or ▶.
10. Press the cursor ▲▼ button to select **Security Lock**.
11. Press the cursor ◀▶ button to select **Enable**. (White text is selected.)
A password dialog box automatically appears.
12. You can only use the following four cursor buttons: ▲▼◀▶ in the password fields. You can use any combination including the same arrow five times, but not less than six. Press the cursor buttons in any order to set the password. When you confirm the password, OK appears.



Adjusting the Projector Level

Take note of the following when setting up the projector:

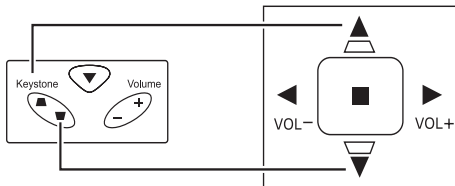
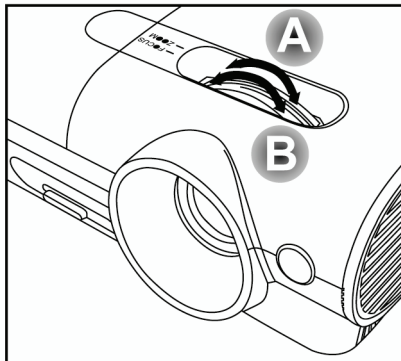
- The projector table or stand should be level and sturdy.
- Position the projector so that it is perpendicular to the screen.
- Be sure cables are not in the way or can not cause the projector to be knocked over.



1. To raise the level of the projector, lift the projector upwards and press the height adjuster button [B] to allow the height adjuster [C] to drop.
2. To lower the level of the projector, press the height adjuster button [B] and push down on the projector.
3. To adjust the angle of the picture, turn the tilt adjuster [D] right or left until desired angle has been achieved.

Adjust the Zoom, Focus and Keystone

1. Use the **Image-zoom** control **[A]** (on the projector only) to resize the projected image and screen size.
2. Use the **Image-focus** control **[B]** (on the projector only) to sharpen the projected image.
3. Use the **Keystone** buttons (on the projector or the remote control) to correct image-trapezoid (wider top or bottom) effect.



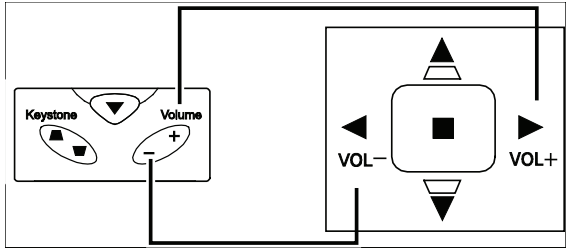
The keystone control appears on the display.



Adjusting the Volume

1. Press the **Volume +/-** buttons on the projector or the remote control.

The volume control appears on the display.



2. Use the **Volume +/-** buttons to adjust the level.



3. Press the **Mute** button (on the remote control only) to turn off the volume.



4. Press **Volume +/-** or **Mute** on the remote control to turn off mute.



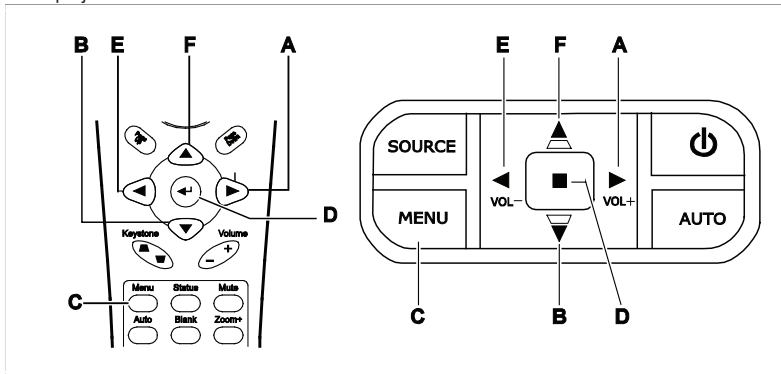
ON-SCREEN DISPLAY MENU SETTINGS

On-Screen Display Menu Controls

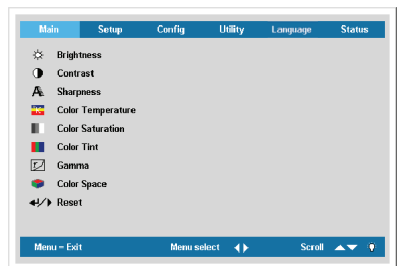
The projector has an On-Screen Display (OSD) that lets you make image adjustments and change various settings.

Navigating the OSD

You can use the remote control or the buttons on the top of the projector to navigate and make changes to the OSD. The following illustration shows the corresponding buttons on the remote control and on the projector.



- A. To open the OSD, press the **Menu** button.
- B. There are six menus. Press the cursor **◀▶** button to move through the menus.
- C. Press the cursor **▲▼** button to move up and down in a menu.
- D. Press **◀▶** to change values for settings.
- E. Press **Menu** to close the OSD or leave a submenu.



Note:

Depending on the video source not all items in the OSD are available. For example, the *Horizontal/Vertical Position* items in the Setup menu can only be modified when connected to a PC. Items that are not available cannot be accessed and are grayed out.

OSD Menu Overview

Use the following illustration to quickly find a setting or determine the range for a setting.

Main	Brightness	0 ~ 100	
	Contrast	0 ~ 100	
	Sharpness	(1) 1	
		(2) 2	
		(3) 3 *	
		(4) 4	
		(5) 5	
	Color Temperature		
	Color Saturation	0 ~ 100	
	Color Tint	0 ~ 100	
	Gamma	(1) PC *	
		(2) MAC	
(3) Video			
(4) Chart			
(5) B&W			
Color Space	(1) Auto *		
	(2) RGB		
	(3) YPbPr		
	(4) YCbCr		
Reset			

Status	Video information		
	Active Source		
	Software Version		
	Lamp Hours		
	Lamp Mode	(1) ECO	
		(2) Normal *	
		(3) Boost	
	Lamp Hour Reset		
	(1) on		
Daylight Mode	(2) off *		

User Color	Red	0 ~ 100
	Green	0 ~ 100
	Blue	0 ~ 100
	Cyan	0 ~ 100
	Magenta	0 ~ 100
	Yellow	0 ~ 100
	White	0 ~ 100
	Reset	

Advanced Feature	User Color		
	White Peaking	0 ~ 10	
	Logo Display	(1) on *	
		(2) off	
	Fan Speed	(1) Normal *	
		(2) High	
	Security Lock	(1) on *	
		(2) off	
Reset			

Utility	Video Type	(1) Auto *
		(2) NTSC
		(3) PAL
		(4) SECAM
	Projection type	(1) Front
		(2) Rear
		(3) Front & Ceiling
		(4) Rear & Ceiling
Frequency		
Tracking	0 ~ 100	
Digital Zoom		
Reset		

Config	Blank Screen	(1) Black
		(2) Red
		(3) Green
		(4) Blue *
		(5) White
	Auto Source	(1) on *
	Auto Power Off	(1) on *
		(2) off
	Volume	0 ~ 8
	Menu position	(1) Left
		(2) Right
		(3) Center *
(4) Down		
(5) Up		
Menu Display	10 ~ 20 seconds	
Translucent Menu	(1) 0% *	
	(2) 25%	
	(3) 50%	
	(4) 75%	
	(5) 100%	

Color Temperature	Warm		
	Normal *		
	Cool		
	User Color		
		(1) Red	0 ~ 100
		(2) Green	0 ~ 100
	(3) Blue	0 ~ 100	

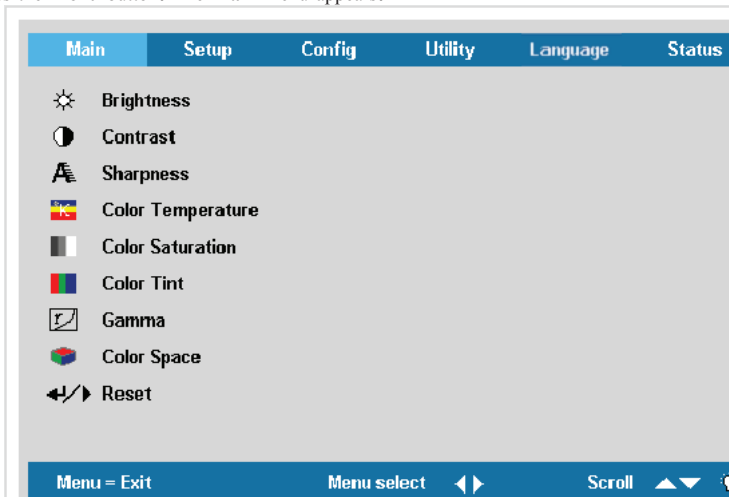
Setup	Horizontal position	0 ~ 100
	Vertical position	0 ~ 100
	Keystone	-50 ~ +50
	Aspect ratio	(1) 4:3 *
		(2) 16:9
	Advanced Feature	
Reset		

Language	(1) English
	(2) French
	(3) Spanish
	(4) German
	(5) Portuguese
	(6) Chinese-S
	(7) Chinese-T
	(8) Russian
	(9) Italian

Setting the OSD Language

You may want to reference the OSD on your projector while reading this section. Set the OSD language to your preference before continuing. (The default language is English.)

1. Press the **Menu** button. The **Main** menu appears.



2. Press the cursor ◀ ▶ button until **Language** is highlighted.

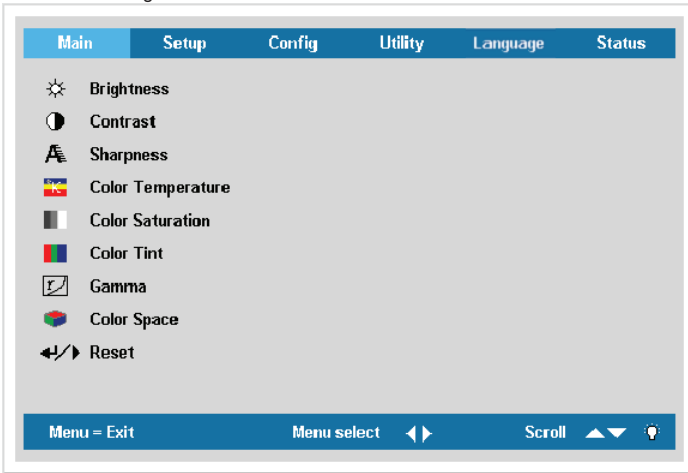


3. Press the ▲ ▼ until your language is displayed. Range: English – Italiano.

4. Press the cursor ▶ button to confirm the language, and **Menu** close the OSD.

Main Menu

Press the **Menu** button to open the **OSD** menu. Press the cursor ◀▶ button to move to the **Main** menu. Press the cursor ▲▼ button to move up and down in the **Main** menu. Press ◀▶ to change values for settings.



ITEM	DESCRIPTION	DEFAULT																		
Brightness	Press the cursor ◀▶ button to adjust the brightness (Range: 0 – 100)	50																		
Contrast	Press the cursor ◀▶ button to adjust the contrast (Range: 0 – 100)	50																		
Sharpness	Press the cursor ◀▶ button to adjust the display sharpness (Range: 1-5)	3																		
Color Temperature	Press Enter to adjust the color temperature settings.	—																		
Color Saturation	Press the cursor ◀▶ button to adjust the video saturation (Range: 0 – 100)	50																		
Color Tint	Press the cursor ◀▶ button to adjust the video tint/hue (Range: 0 – 100)	50																		
Gamma	Press the cursor ◀▶ button to adjust the gamma correction of the display <table border="0" style="margin-left: 40px;"> <tr> <td><i>Input</i></td> <td><i>Gamma</i></td> <td><i>Brightness</i></td> </tr> <tr> <td><i>PC</i></td> <td>2.2</td> <td><i>High</i></td> </tr> <tr> <td><i>MAC</i></td> <td>1.8</td> <td><i>High</i></td> </tr> <tr> <td><i>Video</i></td> <td>2.4</td> <td><i>Low</i></td> </tr> <tr> <td><i>Chart</i></td> <td>2.2</td> <td><i>Low</i></td> </tr> <tr> <td><i>B&W</i></td> <td>2.4</td> <td><i>High</i></td> </tr> </table>	<i>Input</i>	<i>Gamma</i>	<i>Brightness</i>	<i>PC</i>	2.2	<i>High</i>	<i>MAC</i>	1.8	<i>High</i>	<i>Video</i>	2.4	<i>Low</i>	<i>Chart</i>	2.2	<i>Low</i>	<i>B&W</i>	2.4	<i>High</i>	PC
<i>Input</i>	<i>Gamma</i>	<i>Brightness</i>																		
<i>PC</i>	2.2	<i>High</i>																		
<i>MAC</i>	1.8	<i>High</i>																		
<i>Video</i>	2.4	<i>Low</i>																		
<i>Chart</i>	2.2	<i>Low</i>																		
<i>B&W</i>	2.4	<i>High</i>																		
Color Space	Press the cursor ◀▶ button to adjust the color space (Range: Auto – RGB – YPbPr- YCbCr)	Auto																		
Reset	Reset all Main settings to default values	—																		

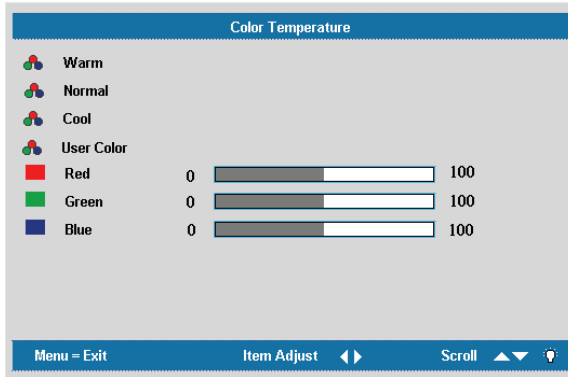
Main Menu Functions Available for Connected Source

Function	RGB	Component Video	Composite Video	S-Video
Brightness	x	x	x	x
Contrast	x	x	x	x
Sharpness	x	x	x	x
Color Temp	x	x	x	x
Color Saturation		x	x	x
Color Tint		x	x	x
Gamma	x	x	x	x
Color Space	x	x	x	x
Reset	x	x	x	x

x = available to video source

Color Temperature

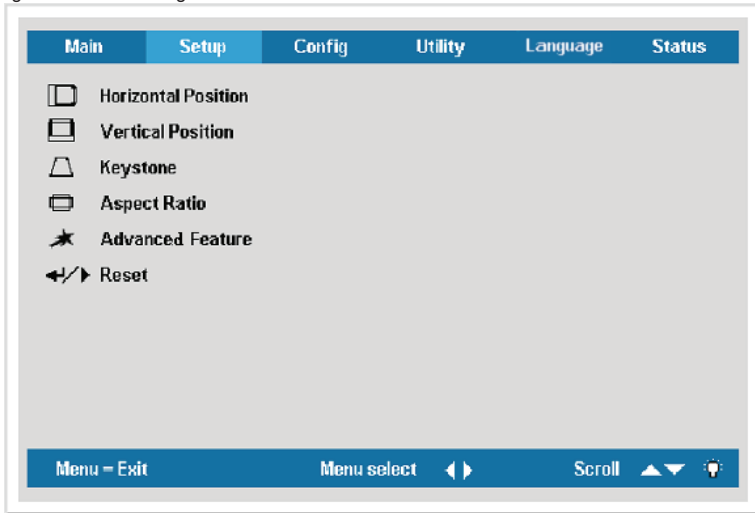
Press the **Menu** button to open the **OSD** menu. Press ◀▶ to move to the **Main** menu. Press ▲▼ to move to the **Color Temperature** menu and then press **Enter** or ▶. Press ▲▼ to move up and down to select a color. Press ◀▶ to change values for settings.



ITEM	DESCRIPTION	DEFAULT
Warm	Press the cursor ▲▼ button to select the warm color temperature.	—
Normal	Press the cursor ▲▼ button to select the normal color temperature.	—
Cool	Press the cursor ▲▼ button to select the cool color temperature.	—
User Mode	Press the cursor ▲▼ button to adjust the user mode color temperature. Press the cursor ◀▶ button to adjust the R/G/B color level. (Range: 0-100)	

Setup Menu

Press the **Menu** button to open the **OSD** menu. Press the cursor ◀▶ button to move to the **Setup** menu. Press the cursor ▲▼ button to move up and down in the **Setup** menu. Press ◀▶ to change values for settings.



ITEM	DESCRIPTION	DEFAULT
Horizontal Position	Press the cursor ◀▶ button to move the image left or right (Range: 0 – 100)	50
Vertical Position	Press the cursor ◀▶ button to move the image up or down (Range: 0 – 100)	50
Keystone	Press the cursor ◀▶ button to correct distortion of the projected image (Range: -50 – +50)	0
Aspect Ratio	Press the cursor ◀▶ button to toggle between the 4:3 standard format and the 16:9 High Definition TV (HDTV) format	4:3
Advanced Feature	See “Advanced Feature” on page 25	—
Reset	Reset Keystone and Aspect Ratio to default values	—

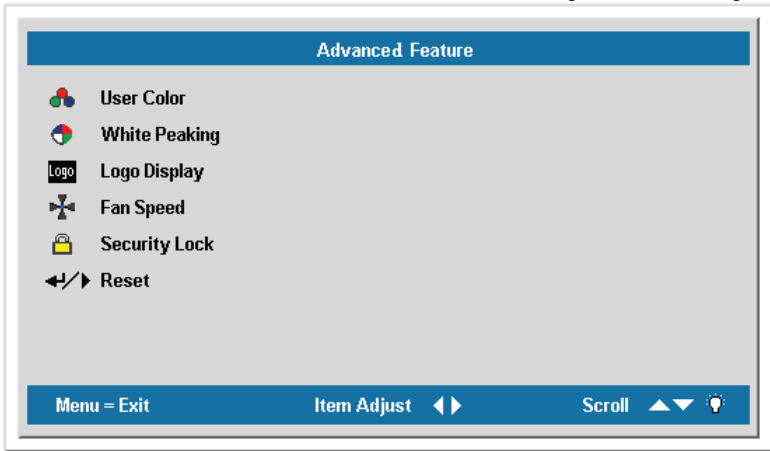
Setup Menu Functions Available for Connected Source

Function	RGB	Component Video	Composite Video	S-video
H Position	x			
V Position	x			
Keystone correction	x	x	x	x
Aspect Ratio	x	x	x	x
Advanced Feature	x	x	x	x
Reset	x	x	x	x

x = available to video source

Advanced Feature

Press the **Menu** button to open the **OSD** menu. Press ◀▶ to move to the **Setup** menu. Press ▲▼ to move to the **Advanced Feature** menu and then press **Enter** or ▶. Press ▲▼ to move up and down in the **Advanced Feature** menu. Press ◀▶ to change values for settings.



ITEM	DESCRIPTION	DEFAULT
User Color	This feature adjusts the color balance in each color of RGB (red, green, blue), and their neutral colors (cyan, magenta, yellow, white) by using color correction adjustment. Increasing a color's setting heightens the intensity of that color on the screen, while a lower setting makes the color less intense. Press ▲▼ to select a color. Press ◀▶ to adjust the selected color. (Range: 0 – 100)	80
White Peaking	White Peaking increases the output in the brightest whites without changing the blacks and dark grays. It crushes the whites slightly, but it does not appear to clip them or seriously obscure white detail. If you prefer a stronger image, adjust toward the maximum setting. For a smoother, more natural image, adjust toward the minimum setting. Press ◀▶ to adjust the value of white peaking. (Range: 0 – 10)	Data source: 10 Video source: 2
Logo Display	Press ◀▶ to enable or disable logo display when the projector starts, or when no source is detected (Range: On – Off)	On
Fan Speed	Press the cursor ◀▶ button to toggle between Normal and High fan speed	Normal

Note:

When altitude is over 5000 feet, fan speed must be changed to high fan speed.

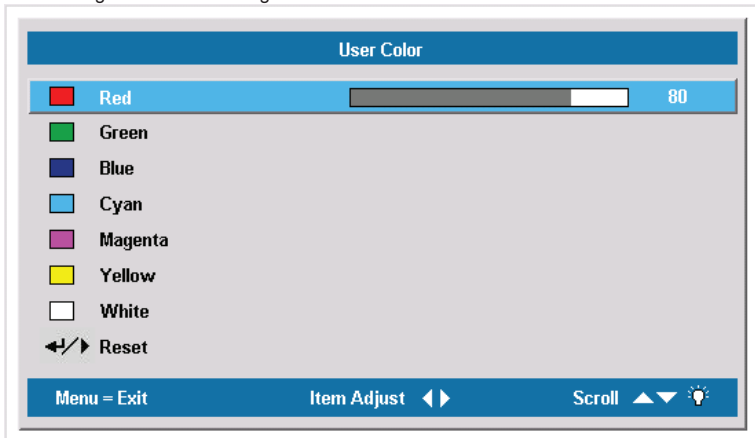
ITEM	DESCRIPTION	DEFAULT
Security Lock	<p>Press the cursor ◀ ▶ button to Enable or Disable Security Lock. When you enable Security Lock a Register Password dialog box appears:</p> <p>You can only use the following cursor buttons, ▲ ▼ ◀ ▶ in the password fields. Press the cursor buttons five times in any order and con-firm to set the password. When the password is enabled, it must be entered every time after you power on the projector. See “Setting an Access Password (Security Lock)” on page 13 for steps on setting the password.</p>	Disable
Reset	Press Enter or ▶ to reset advanced feature settings to default values	—

Note:

If Security Lock is enabled, you must enter the password every time the projector is turned on. However, if the projector is already turned on, Security Lock can be disabled without knowing the current password.

User Color

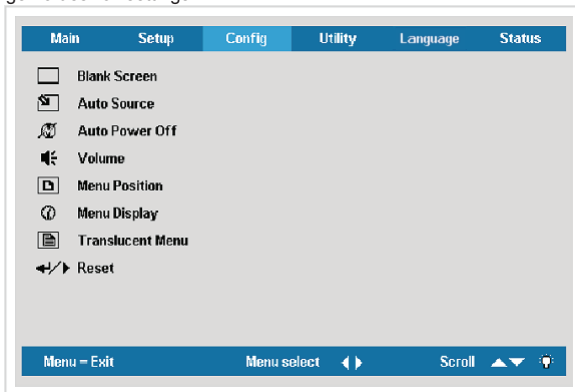
Press the **Menu** button to open the **OSD** menu. Press ◀▶ to move to the **Setup** menu. Press ▲▼ to move to the **Advanced Feature** menu and then press **Enter** or ▶. Press ▲▼ to move to the **User Color** menu and then press **Enter** or ▶. Press ▲▼ to move up and down to select a color. Press ◀▶ to change values for settings.



ITEM	DESCRIPTION	DEFAULT
Red	Press the cursor ◀▶ button to adjust the red color level (Range: 0 – 100)	10
Green	Press the cursor ◀▶ button to adjust the green color level (Range: 0 – 100)	10
Blue	Press the cursor ◀▶ button to adjust the blue color level (Range: 0 – 100)	10
Cyan	Press the cursor ◀▶ button to adjust the cyan color level (Range: 0 – 100)	10
Magenta	Press the cursor ◀▶ button to adjust the magenta color level (Range: 0 – 100)	10
Yellow	Press the cursor ◀▶ button to adjust the yellow color level (Range: 0 – 100)	10
White	Press the cursor ◀▶ button to adjust the white color level (Range: 0 – 100)	80
Reset	Reset all User Color settings to default values	—

Config Menu

Press the **Menu** button to open the **Main** menu. Press the cursor ◀ ▶ button to move to the **Config** menu. Press the cursor ▲ ▼ button to move up and down in the **Config** menu. Press ◀ ▶ to change values for settings.



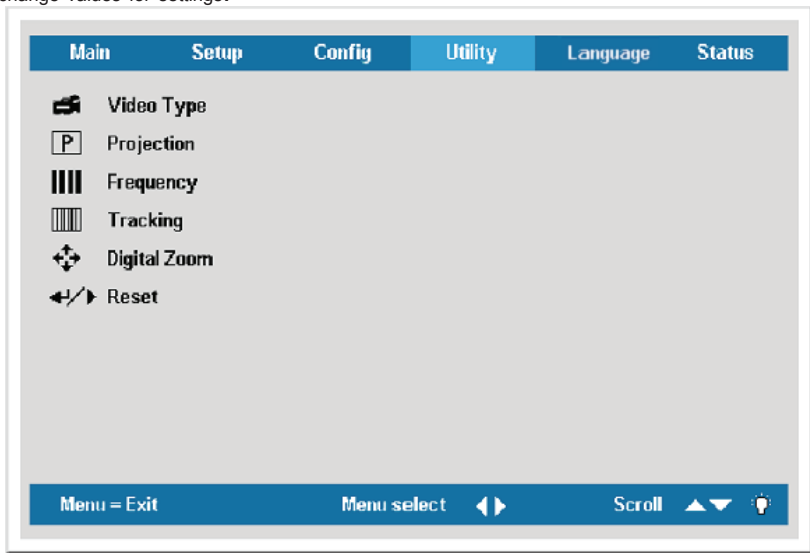
ITEM	DESCRIPTION	DEFAULT
Blank Screen	Press the cursor ◀ ▶ button to select a background color for the blank screen (Range: Black – Red – Green – Blue – White)	Blue
Auto Source	Press the cursor ◀ ▶ button to enable or disable automatic source detection(Range: On – Off)	On
Auto Power Off	Press the cursor ◀ ▶ button to enable or disable automatic shut-down of lamp after 10 minutes of inactivity(Range: On – Off)	Off
Volume	Press the cursor ◀ ▶ button to adjust the audio volume level (Range: 0 - 8)	4
Menu Position	Press the cursor ◀ ▶ button to position the OSD on screen (Range: Left – Right – Center – Down – Up)	Center
Menu Display	Press the cursor ◀ ▶ button to determine the timeout delay of the OSD (Range: 10 – 20 sec.)	15
Translucent Menu	Press the cursor ◀ ▶ button to set menu screen translucency (Range: 0% – 100%)	0%
Reset	Reset all Config items to default values	—

Note:

The Config menu functions are available to all video sources.

Utility Menu

Press the **Menu** button to open the **Main** menu. Press the cursor ◀▶ button to move to the **Utility** menu. Press the cursor ▲▼ button to move up and down in the **Utility** menu. Press ◀▶ to change values for settings.



ITEM	DESCRIPTION	DEFAULT
Video Type	Press the cursor ◀▶ button to select the video standard (Range: Auto – NTSC – PAL – SECAM)	Auto
Projection	Press the cursor ◀▶ button to choose from four projection methods:	Desktop front
	Desktop mount, front of the screen	
	Desktop mount, rear of the screen	
	Ceiling mount, front of the screen	
	Ceiling mount, rear of the screen	
Frequency	Press the cursor ◀▶ button to adjust the A/D sampling clock (Range: 0° - 180°)	Auto detected
Tracking	Press the cursor ◀▶ button to adjust the A/D sampling number (Range: 1 - 100)	Auto detected

Digital Zoom	<p>Digital operation for zoom and pan adjustment. Press Enter or ▶. The Zoom menu appears.</p> <div data-bbox="252 142 590 301" style="border: 1px solid black; padding: 5px; text-align: center;"> <p>Zoom : ▲▼</p> <p>Pan : ◀▶</p> <p>Exit : "MENU"</p> </div> <p>Press ▲ to zoom in; press ▼ to zoom out. Press Enter or ▶ to open the Pan menu. (You must zoom in before you can open the Pan menu.)</p> <div data-bbox="252 382 590 509" style="border: 1px solid black; padding: 5px; text-align: center;"> <p>Pan : ◀▶</p> <p>Exit : "MENU"</p> </div> <p>Use the cursor buttons to pan the zoomed image. Press the Menu button to exit.</p>	—
Reset	Reset Video Type, Video, Projection, and Digital Zoom to default values	—

Utility Menu Functions Available for Connected Source

Function	RGB	Component Video	Composite Video	S-Video
Video Type			x	x
Projection	x	x	x	x
Frequency	x			
Tracking	x			
Digital Zoom	x	x	x	x
Reset	x	x	x	x

x = available to video source

Language Menu

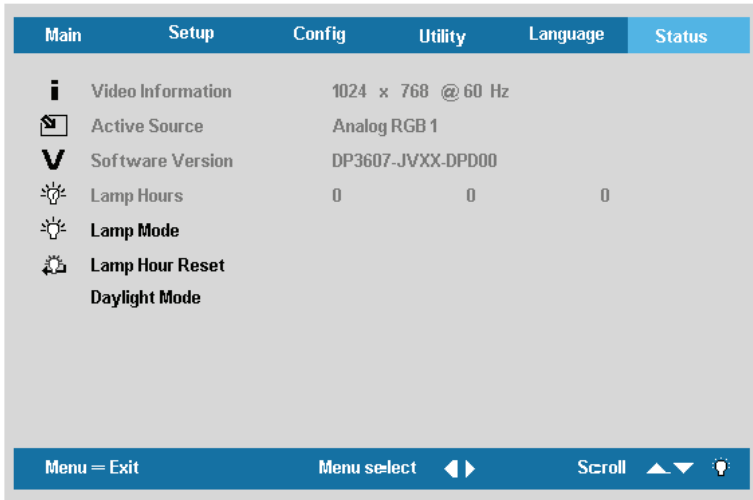
Press the **Menu** button to open the **OSD** menu. Press the cursor ◀ ▶ button to move to the **Language** menu. Press the cursor ▲ ▼ button to move up and down in the **Language** menu. Select the value, and then press **Enter** to confirm the new setting.



ITEM	DESCRIPTION	DEFAULT
Language	Press the cursor ◀ ▶ to select the desired language. Language options: English, French, Spanish, German, Portuguese, Chinese-Simplified, Chinese-Traditional, Russian, Italian.	English

Status Menu

Press the **Menu** button to open the **Main** menu. Press the cursor ◀ ▶ button to move to the **Status** menu. Press the cursor ▲ ▼ button to move up and down in the **Status** menu.



ITEM	DESCRIPTION	DEFAULT
Video Information	Display the resolution and refresh rate for RGB/DVI mode. Display the color standard for video mode.	These items are display only.
Active Source	Display the active source	
Software Version	Display information about the software version	
Lamp Hours	Show the number of hours lamp has been in use for Eco, Normal and Boost modes	
Lamp Mode	Press the cursor ▶ ◀ button to choose the lamp mode. (Range: Eco; Normal, Boost) Eco mode uses less power and extends lamp life, but decreases lamp brightness.	Normal
Lamp Hour Reset	After replacing the lamp, this item should be reset. Refer to “Resetting the Lamp” on page 34.	—
Daylight Mode	Auto detect environment light source and adjust projectors brightness accordingly	—

MAINTENANCE AND SECURITY

Replacing the Projection Lamp

The projection lamp should be replaced when it burns out. It should only be replaced with a certified replacement part, which you can order from your local dealer.

Important:

The lamp contains a certain amount of mercury and should be disposed of according to local ordinance regulations.

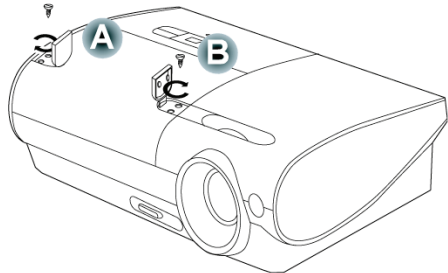
Avoid touching the glass surface of the new lamp: Doing so may shorten its operation life.

Warning:

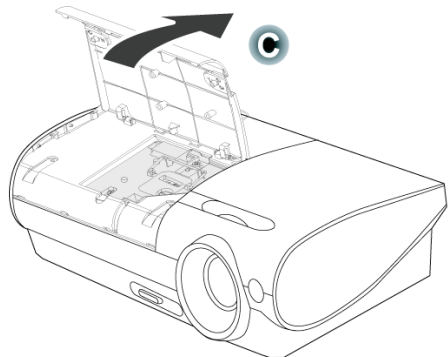
Be sure to turn off and unplug the projector at least an hour before replacing the lamp. Failure to do so could result in severe burn.

It is recommended that you do not attempt to replace the lamp while the projector is installed on a ceiling. If you do attempt this, wear protective goggles to prevent glass from a ruptured lamp getting into your eyes.

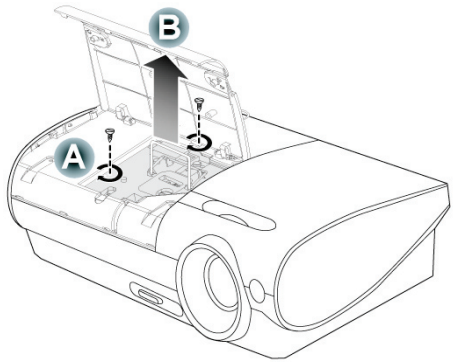
1. Lift the screw covers [A].
Remove the screws on the lamp compartment cover [B].



2. Lift the lamp compartment cover [C] exposing the lamp module.



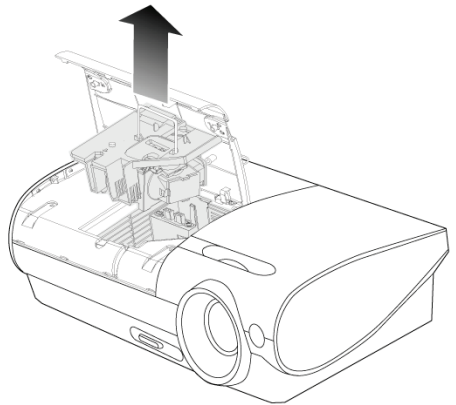
3. Remove the two screws from the lamp module [A] and then lift the module handle up [B].



4. Pull up firmly to remove the lamp module.

5. Reverse Steps 1 to 4 to install the new lamp module.

Note: The lamp module should be oriented as shown here when replacing.



Cleaning the Projector

Cleaning the projector to remove dust and grime will help ensure trouble-free operation.

Warning:

1. Be sure to turn off and unplug the projector at least an hour before cleaning. Failure to do so could result in a severe burn.
2. Use only a dampened cloth when cleaning. Do not let water to enter the ventilation openings on the projector.
3. If a little water gets into the projector interior while cleaning, leave the projector unplugged in a well-ventilated room for several hours before using.
4. If a lot of water gets into the projector interior when cleaning, have the projector serviced.

Cleaning the Lens

You can purchase optic lens cleaner from most camera stores. Refer to the following to clean the projector lens.

1. Apply a little optic lens cleaner to a clean soft cloth. (Do not apply the cleaner directly to the lens.)
2. Lightly wipe the lens in a circular motion.

Caution:

1. Do not use abrasive cleaners or solvents.
2. To prevent discoloration or fading, avoid getting cleaner on the projector case.

Cleaning the Case

Refer to the following to clean the projector case.

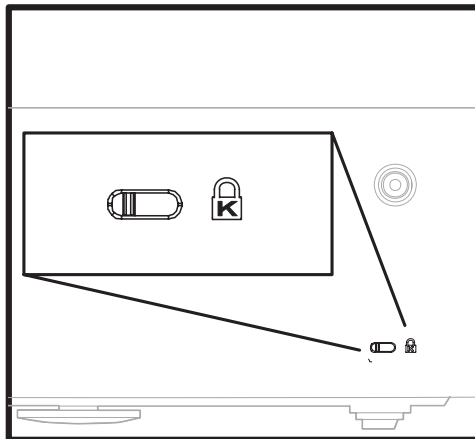
1. Wipe off dust with a clean dampened cloth.
2. Moisten the cloth with warm water and mild detergent (such as used to wash dishes), and wipe the case.
3. Rinse all detergent from the cloth and wipe the projector again.

Caution:

To prevent discoloration or fading of the case, do not use abrasive alcohol-based cleaners.

Using the Kensington Lock

If you are concerned about security, attach the projector to a permanent object with the Kensington slot and a security cable.



Note:

Contact your vendor for details on purchasing a suitable Kensington security cable.

TROUBLESHOOTING

Common problems and solutions

These guidelines provide tips to deal with problems you may encounter while using the projector. If the problem remains unsolved, contact your dealer for assistance.

Often after time spent troubleshooting, the problem is traced to something as simple as a loose connection. Check the following before proceeding to the problem-specific solutions.

- *Use some other electrical device to confirm that the electrical outlet is working.*
- *Ensure the projector is turned on.*
- *Ensure all connections are securely attached.*
- *Ensure the attached device is turned on.*
- *Ensure a connected PC is not in suspend mode.*
- *Ensure a connected notebook computer is configured for an external display. (This is usually done by pressing an Fn-key combination on the notebook.)*

Tips for Troubleshooting

In each problem-specific section, try the steps in the order as suggested. This may help you to solve the problem more quickly.

Try to pin point the problem and thus avoid replacing non-defective parts.

For example, if you replace batteries and the problem remains, put the original batteries back and go to the next step.

Keep a record of the steps you take when troubleshooting. The information may be useful when calling for technical support or for passing on to service personnel.

LED Error Messages

ERROR CODE MESSAGE	POWER LED/FLASHES	READY LED/FLASHES
System standby	—	Solid
Cooling down	Flashing	—
Environment usage task created error	2	2
Thermal break status error	3	0
Sensor over temperature	3	1
Sensor status fail	4	1
Lamp lit error	5	1
Ballast SCI error	5	2
Ballast UART error	5	3
Fan1 error (Lamp)	6	1
Fan2 error (Ballast)	6	2
Fan3 error (Blower)	6	3
Fan4 error (Power)	6	4
Lamp door open	7	0
DMD error	8	0
Color wheel error	9	0

Image Problems

Problem: No image appears on the screen

1. Verify the settings on your notebook or desktop PC.
2. Turn off all equipment and power up again in the correct order.

Problem: The image is blurred

1. Adjust the **Focus** on the projector.
2. Press the **Auto** button on the remote control or projector.
3. Ensure the projector-to-screen distance is within the 8-meter (26-feet) specified range.
4. Check that the projector lens is clean.
5. Make sure the output resolution from the PC is 800 x 600 (SVGA model) or 1024 x 768 (XGA model), the native resolution of the projector.

Problem: The image is wider at the top or bottom (trapezoid effect)

1. Position the projector so it is as perpendicular to the screen as possible.
2. Use the Keystone button on the remote control or projector to correct the problem.

Problem: The image is reversed or upside down

Check the **Projection** setting on the **Utility** menu of the OSD.

Problem: The image is streaked

1. Set the **Frequency** and **Tracking** settings on the **Utility** menu of the OSD to the default settings.

- 2.To ensure the problem is not caused by a connected PC's video card, connect to another computer.

Problem: The image is flat with no contrast

Adjust the **Contrast** setting on the **Main** menu of the OSD.

Problem: The color of the projected image does not match the source image.

Adjust the **Color Temperature** and **Gamma** settings on the **Main** menu of the OSD.

Lamp Problems

Problem: There is no light from the projector

- 1.Check that the power cable is securely connected.
- 2.Ensure the power source is good by testing with another electrical device.
- 3.Restart the projector in the correct order and check that the Power LED is green.
- 4.If you have replaced the lamp recently, try resetting the lamp connections.
- 5.Replace the lamp module.
- 6.Put the old lamp back in the projector and have the projector serviced.

Problem: The lamp goes off

- 1.Power surges can cause the lamp to turn off. Press the power button twice to turn off the projector. When the Lamp Ready LED is on, press the power button.
- 2.Replace the lamp module.
- 3.Put the old lamp back in the projector and have the projector serviced.

Remote Control Problems

Problem: The projector does not respond to the remote control

- 1.Point the remote control towards the remote sensor on the projector.
- 2.Ensure the path between remote and sensor is not obstructed.
- 3.Turn off any fluorescent lights in the room.
- 4.Check the battery polarity of the remote control.
- 5.Replace the batteries.
- 6.Turn off other Infrared-enabled devices in the vicinity.
- 7.Have the remote control serviced.

Audio Problems

Problem: There is no sound

1. Adjust the projector volume.
2. Adjust the volume of the audio source.
3. Check the audio cable connection.
4. Test the source audio output with other speakers.
5. Have the projector serviced.

Problem: The sound is distorted

1. Check the audio cable connection.
2. Test the source audio output with other speakers.
3. Have the projector serviced.

Having the Projector Serviced

If you are unable to solve the problem, you should have the projector serviced. Pack the projector in the original carton. Include a description of the problem and a checklist of the steps you took when trying to fix the problem. The information may be useful to the service personnel. Return the projector to the place you purchased it.

SPECIFICATIONS

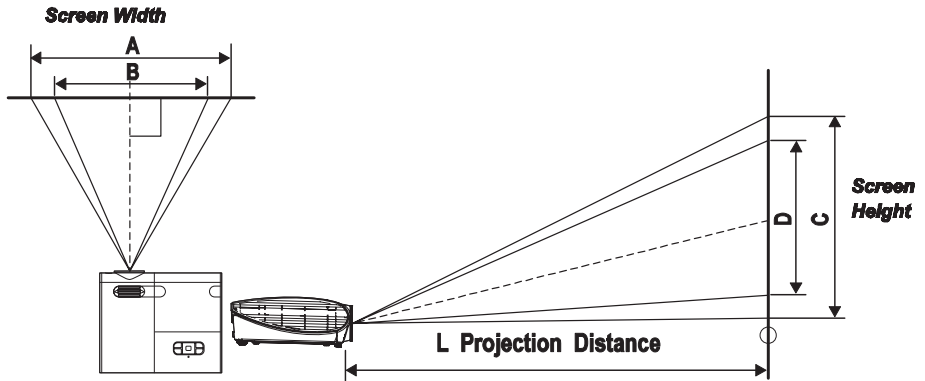
Specifications

MODEL	PJ508D	PJ568D	PJ588D
Display type	"TI" DMD, 0.55" x 1, 12 degrees		"TI" DMD, 0.7" x 1, 12 degrees
Resolution	SVGA 800 x 600 native	XGA 1024 x 768 native	
Bandwidth	Up to SXGA 1280 x 1024 @ 60 Hz		
Color	16.7 Million (24-bits/pixel)		
Weight	2.64 kg (5.84 lbs)	2.66 kg (5.87 lbs)	
Projection distance	1 to 10 meters (39 to 393 inches)		
Projection screen size	0.57 to 6.60 meters (22.57 to 260 inches)	0.59 to 6.94 meters (23.4 to 273.4 inches)	
Brightness uniformity	Typical 85%; minimum 75%		Typical 80%; minimum 70%
Projection lens	Zoom Lens (manual)		
Zoom ratio	1.15:1		
Vertical keystone correction	+/- 15 degrees		
Projection methods	Front/Rear, Desktop/Ceiling (Rear, Front)		
Data compatibility	IBM PC or compatibles (VGA, SVGA, XGA, SXGA, UXGA), Mac		
HDTV	720p, 1080i		
SDTV/EDTV/HDTV	480i, 576i/480p, 576p/720p, 1080i		
Video compatibility	NTSC/NTSC 4.43, PAL (B/G/H/I/M/N 60), SECAM		
H-Sync	15,31 - 70 kHz	15,31 - 90 kHz	
V-Sync	50 - 85 Hz		
Safety certification	FCC-B / UL/cUL / CB / CE / CCC / PSB / NOM / EK-Mark (Korea) / GOST / C-Tick / UL-AR / BSMI / Ukraine		
Operation temperature	5° C ~ 35° C		
Dimensions	30.0 x 24.3 x 9.4 cm (11.8 x 9.6 x 3.7 inches)		
Power consumption	Typical 290W (boost mode); Typical 255W (normal mode); Typical 230W (ECO mode)		
Stand By	< 5 watts		
Noise	33 dB typical		
Lamp	Boost mode: 230W; normal mode: 200W; Eco mode: 180W		
Audio speaker	1W mono speaker		
Uniformity	85 %		80 %
Lens Cover (Diameter)	72mm (2.8 inches)		

Input/output connectors

PC	RGB in x 2
	RGB out
	USB
Video	Composite video (RCAx1)
	S-Video (Mini-DIN)
Audio	Mini-jack in
Service/upgrades	RS-232
Security	Kensington slot
Interactive Whiteboard	Mini USB (Optional)

Projection Distance versus Projection Size



PJ508D/PJ568D

Projection Distance	Max. Screen Size		1.89	Min. Screen Size		2.18
	Diagonal	Width A	Height C	Diagonal	Width B	Height D
1.00m	0.66m	0.53m	0.40m	0.57m	0.46m	0.34m
3.28'	26.04"	20.83"	15.62"	22.57"	18.06"	13.54"
1.50m	0.99m	0.79m	0.60m	0.86m	0.69m	0.52m
4.92'	39.06"	31.25"	23.43"	33.86"	27.09"	20.32"
2.40m	1.59m	1.27m	0.95m	1.38m	1.10m	0.83m
7.87'	62.49"	49.99"	37.50"	54.18"	43.34"	32.51"
2.80m	1.85m	1.48m	1.11m	1.61m	1.28m	0.96m
9.18'	72.91"	58.33"	43.74"	63.21"	50.57"	37.93"
3.20m	2.12m	1.69m	1.27m	1.83m	1.47m	1.10m
10.50'	83.32"	66.66"	49.99"	72.24"	57.79"	43.34"
3.60m	2.38m	1.90m	1.43m	2.06m	1.65m	1.24m
11.81'	93.74"	74.99"	56.24"	81.27"	65.01"	48.76"
4.00m	2.65m	2.12m	1.59m	2.29m	1.83m	1.38m
13.12'	104.15"	83.32"	62.49"	90.30"	72.24"	54.18"
4.40m	2.91m	2.33m	1.75m	2.52m	2.02m	1.51m
14.43'	114.57"	91.66"	68.74"	99.33"	79.46"	59.60"
4.80m	3.17m	2.54m	1.90m	2.75m	2.20m	1.65m
15.74'	124.98"	99.99"	74.99"	108.36"	86.69"	65.01"
5.20m	3.44m	2.75m	2.06m	2.98m	2.39m	1.79m
17.06'	135.40"	108.32"	81.24"	117.39"	93.91"	70.43"
5.60m	3.70m	2.96m	2.22m	3.21m	2.57m	1.93m
18.37'	145.82"	116.65"	87.49"	126.42"	101.13"	75.85"
7.00m	4.63m	3.70m	2.78m	4.01m	3.21m	2.41m
22.96'	182.27"	145.82"	109.36"	158.02"	126.42"	94.81"
10.00m	6.61m	5.29m	3.97m	5.73m	4.59m	3.44m
32.80'	260.38"	208.31"	156.23"	225.75"	180.60"	135.45"

*Shaded rows are equivalent measurement in feet and inches.

PJ588D

Projection Distance	Max. Screen Size		1.8 Height C	Min. Screen Size		2.1 Height D
	Diagonal	Width A		Diagonal	Width B	
1,00m	0,69m	0,56m	0,42m	0,60m	0,48m	0,36m
3,28'	27,34"	21,87"	16,40"	23,43"	18,75"	14,06"
1,50m	1,04m	0,83m	0,63m	0,89m	0,71m	0,54m
4,92'	41,01"	32,81"	24,61"	35,15"	28,12"	21,09"
2,40m	1,67m	1,33m	1,00m	1,43m	1,14m	0,86m
7,87'	65,62"	52,49"	39,37"	56,24"	44,99"	33,75"
2,80m	1,94m	1,56m	1,17m	1,67m	1,33m	1,00m
9,18'	76,55"	61,24"	45,93"	65,62"	52,49"	39,37"
3,20m	2,22m	1,78m	1,33m	1,90m	1,52m	1,14m
10,50'	87,49"	69,99"	52,49"	74,99"	59,99"	44,99"
3,60m	2,50m	2,00m	1,50m	2,14m	1,71m	1,29m
11,81'	98,43"	78,74"	59,06"	84,36"	67,49"	50,62"
4,00m	2,78m	2,22m	1,67m	2,38m	1,90m	1,43m
13,12'	109,36"	87,49"	65,62"	93,74"	74,99"	56,24"
4,40m	3,06m	2,44m	1,83m	2,62m	2,10m	1,57m
14,43'	120,30"	96,24"	72,18"	103,11"	82,49"	61,87"
4,80m	3,33m	2,67m	2,00m	2,86m	2,29m	1,71m
15,74'	131,23"	104,99"	78,74"	112,49"	89,99"	67,49"
5,20m	3,61m	2,89m	2,17m	3,10m	2,48m	1,86m
17,06'	142,17"	113,74"	85,30"	121,86"	97,49"	73,12"
1,00m	0,69m	0,56m	0,42m	0,60m	0,48m	0,36m
3,28'	27,34"	21,87"	16,40"	23,43"	18,75"	14,06"
7,00m	4,86m	3,89m	2,92m	4,17m	3,33m	2,50m
22,96'	191,38"	153,11"	114,83"	164,04"	131,23"	98,43"
10,00m	6,94m	5,56m	4,17m	5,95m	4,76m	3,57m
32,80'	273,40"	218,72"	164,04"	234,35"	187,48"	140,61"

*Shaded rows are equivalent measurement in feet and inches.

Timing Mode Table

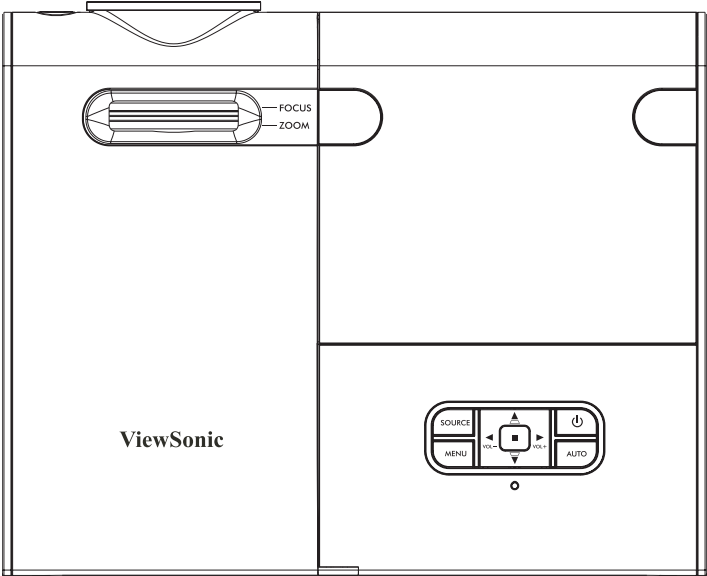
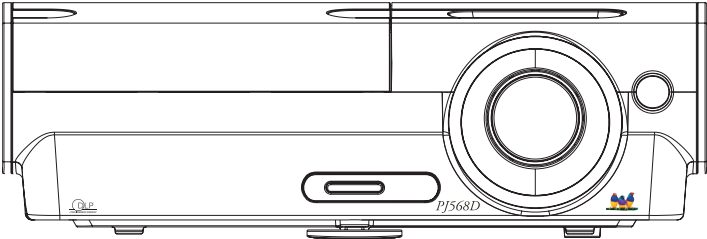
The native resolution is 800 x 600 for the SVGA series and 1024 x 768 for the XGA series.

Resolution other than native mode may display with uneven size of text or lines.

The following table shows the supported timing modes.

Signal	Resolution	Frequency H. (KHz)	Frequency V. (Hz)	Video	Digital	Analog
VESA	640 x 480 (CVT)	24.6	50	--	○	○
	720 x 400	31.5	70.0	--	○	○
	720 x 400	37.9	85.0	--	○	○
	640 x 480	31.469	59.940	--	○	○
	640 x 480	37.861	72.809	--	○	○
	640 x 480	37.5	75.0	--	○	○
	640 x 480	43.269	85.008	--	○	○
	800 x 600 (CVT)	30.998	50	--	○	○
	800 x 600	35.156	56.25	--	○	○
	800 x 600	37.879	60.317	--	○	○
	800 x 600	48.077	72.188	--	○	○
	800 x 600	46.875	75	--	○	○
	800 x 600	53.674	85.061	--	○	○
	1024 x 768	39.634	50	--	○	○
	1024 x 768	48.4	60.0	--	○	○
	1024 x 768	56.5	70.1	--	○	○
	1024 x 768	60.0	75.0	--	○	○
	1280 x 1024	64	60.0	--	○	○
Apple Macintosh(13",16",19")	640 x 480	35.0	66.7	--	○	○
	832 x 624	49.7	74.5	--	○	○
	1024 x 768	60.2	74.9	--	○	○
	1152 x 870	68.7	75.1	--	○	○
HDTV	1920 x 1080	33.75	60.0	○	--	--
	1920 x 1080	28.125	50.0	○	--	--
	1280 x 720	45.0	60.0	○	--	--
	1280 x 720	37.5	50.0			
EDTV / SDTV	720 x 480	31.5	60.0	○	--	--
	720 x 480	15.8	60.0	○	--	--
	720 x 576	15.6	50.0	○	--	--
	720 x 576	31.25	50.0	○	--	--
○	Frequency supported					
--	Frequency not supported					

Dimensions



Customer Support

For technical support or product service, see the table below or contact your reseller.

Note : You will need the product serial number.

Country/Region	Web Site	T=Telephone F=Fax	E-mail
United States	www.viewsonic.com	T= 800 688 6688 F= 909 468 1202	service.us@viewsonic.com
Canada	www.viewsonic.com	T= 866 463 4775 F= 909 468 5814	service.ca@viewsonic.com
Latin America (Mexico/Chile)	www.viewsonic.com/la/	T= 866 323 8056 F= 909 444 5655	soporte@viewsonic.com
United Kingdom	www.viewsoniceurope.com/uk/	www.viewsoniceurope.com/uk/ Support/Calldesk.htm	
Europe/Middle East/ Baltic countries/ North Africa	www.viewsoniceurope.com	Contact your reseller	
Australia/New Zealand	www.viewsonic.com.au	AUS= 1800 880 818 NZ= 0800 008 822	service@au.viewsonic.com
Singapore/Malaysia/ Thailand	www.ap.viewsonic.com	T= 65 6461 6044	service@sg.viewsonic.com
South Africa/Other countries	www.ap.viewsonic.com	T= 886 2 2246 3456 F= 886 2 2249 1751	service@sd.viewsonic.com
Hong Kong	www.hk.viewsonic.com	T= 852 3102 2900	service@hk.viewsonic.com
Macau	www.hk.viewsonic.com	T= 853 700 303	service@hk.viewsonic.com
Korea	www.kr.viewsonic.com	T= 080 265 9080	service@kr.viewsonic.com

Limited Warranty

VIEWSONIC® PROJECTOR

What the warranty covers:

ViewSonic warrants its products to be free from defects in material and workmanship, under normal use, during the warranty period. If a product proves to be defective in material or workmanship during the warranty period, ViewSonic will, at its sole option, repair or replace the product with a like product. Replacement product or parts may include remanufactured or refurbished parts or components.

How long the warranty is effective:

North and South America: 3 years for all parts excluding the lamp, 3 years for labor, 1 year for the original lamp from the date of the first consumer purchase.

Europe: 3 years for all parts excluding the lamp, 3 years for labor, 1 year for the original lamp from the date of the first consumer purchase.

Other regions or countries: Please check with your local dealer or local ViewSonic office for the warranty information.

Lamp warranty subject to terms and conditions, verification and approval. Applies to manufacturer's installed lamp only.

All accessory lamps purchased separately are warranted for 90 days.

Who the warranty protects:

This warranty is valid only for the first consumer purchaser.

What the warranty does not cover:

1. Any product on which the serial number has been defaced, modified or removed.
2. Damage, deterioration or malfunction resulting from:
 - a. Accident, misuse, neglect, fire, water, lightning, or other acts of nature, unauthorized product modification, or failure to follow instructions supplied with the product.
 - b. Repair or attempted repair by anyone not authorized by ViewSonic.
 - c. Any damage of the product due to shipment.
 - d. Removal or installation of the product.
 - e. Causes external to the product, such as electric power fluctuations or failure.
 - f. Use of supplies or parts not meeting ViewSonic's specifications.
 - g. Normal wear and tear.
 - h. Any other cause which does not relate to a product defect.
3. Any product exhibiting a condition commonly known as "image built-in" which results when a static image is displayed on the product for an extended period of time.
4. Removal, installation, and set-up service charges.

How to get service:

1. For information about receiving service under warranty, contact ViewSonic Customer Support (Please refer to Customer Support page). You will need to provide your product's serial number.

2. To obtain warranted service, you will be required to provide (a) the original dated sales slip, (b) your name, (c) your address, (d) a description of the problem, and (e) the serial number of the product.
3. Take or ship the product freight prepaid in the original container to an authorized ViewSonic service center or ViewSonic.
4. For additional information or the name of the nearest ViewSonic service center, contact ViewSonic.

Limitation of implied warranties:

There are no warranties, express or implied, which extend beyond the description contained herein including the implied warranty of merchantability and fitness for a particular purpose.

Exclusion of damages:

ViewSonic's liability is limited to the cost of repair or replacement of the product. ViewSonic shall not be liable for:

1. Damage to other property caused by any defects in the product, damaged based upon inconvenience, loss of use of the product, loss of time, loss of profits, loss of business opportunity, loss of goodwill, interference with business relationships, or other commercial loss, even if advised of the possibility of such damages.
2. Any other damages, whether incidental, consequential or otherwise.
3. Any claim against the customer by other party.

Effect of state law:

This warranty gives you specific legal rights, and you may also have other rights which vary from state to state. Some states do not allow limitations on implied warranties and/or do not allow the exclusion of incidental or consequential damages, so the above limitations and exclusions may not apply to you.

Sales outside the U.S.A. and Canada:

For warranty information and service on ViewSonic products sold outside of the U.S.A. and Canada, contact ViewSonic or your local ViewSonic dealer.

The warranty period for this product in mainland China (Hong Kong, Macao and Taiwan Excluded) is subject to the terms and conditions of the Maintenance Guarantee Card.

4.3: Projector Warranty

PRJ_LW01 Rev. 1g 06-30-06

